

Specification:

Corner bathtub **BEACH BH 150 E**

made of molded, integrally colored and crosslinked sanitary acrylic according to DIN EN 263.

item No.: 103BWN0301
 measurement: 1500 x 1500 x 450 mm (L x W x H)
 contains: about 400 l minus people

Manufactured in vacuum - thermoforming process on aluminum tools.

Strengthened with glass fiber reinforced plastic.

Manufactured according to DIN EN 198 and DIN EN 14516.

Laminated floorboard of 12 mm to accommodate the foot system. Installation with bathtub feet (see accessories) or other suitable/ approved installation systems.

Drain center. Overflow front.

Drain and overflow with bowden cable 1000 mm.

Optional with Pool-, Light- and Sound Systems.

Optional with Slim Line.

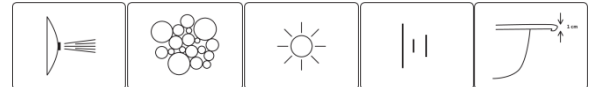
Colour : white

Different colours on demand



BH 150 E

Optional systems:



Optional Accessories:

tub support

Slim Line

bathtub feet (1 set)

Anti-Slip

drain and overflow, bowden cable 1000mm

drain and overflow, bowden cable 1000mm waterintake

handles (1 set) 250 x 65 mm

handles (1 set) 350 x 45 mm

boreholing (per hole)

wall anchors (1 set)

bathtub rail set

waterproofing set 1/ normal installation

waterproofing set 2 / ground-level-/ niche installation

Item No. 941WTR03ILL

Item No. 776ZTR01

Item No. 750ZBF01

Item No. 821ZAR01

Item No. 834ZBA01CLG

Item No. 835ZBA01CLG

Item No. 651ZGR02C

Item No. 755ZGR01C

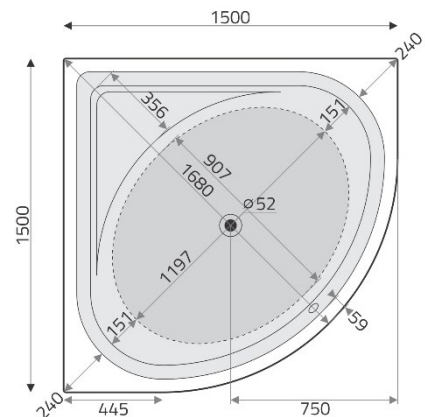
Item No. 803ZLO01

Item No. 800ZBW00

Item No. 752ZBL01

Item No. 781ZBD01

Item No. 782ZBD01

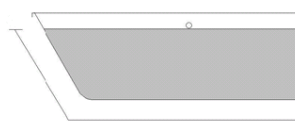


Floor Dimension:



1197 mm

Lying Dimension:



1582 mm

