

Specification:

Bathtub **BEACH BH 180**

made of molded, integrally colored and crosslinked sanitary acrylic according to DIN EN 263.

item No.: 100BWN0301L (overflow left)
 100BWN0301R (overflow right)
 measurement: 1800 x 800 x 450 mm (L x W x H)
 contains: about 300 l minus people



BH 180 overflow right

Manufactured in vacuum - thermoforming process on aluminum tools.
 Strengthened with glass fiber reinforced plastic.
 Manufactured according to DIN EN 198 and DIN EN 14516.
 Laminated floorboard of 12 mm to accommodate the foot system. Installation with bathtub feet (see accessories) or other suitable/ approved installation systems.
 Drain center. Overflow optional left or right.
 Drain and overflow with bowden cable 800 mm.
Optional with Pool-, Light- and Sound Systems.
Optional with Slim Line.

Colour : white

Different colours on demand

Optional systems:



Optional Accessories:

tub support

Slim Line

bathtub feet (1 set)

Anti-Slip

drain and overflow, bowden cable 800 mm

drain and overflow, bowden cable 800 mm waterintake

handles (1 set) 250 x 65 mm

handles (1 set) 350 x 45 mm

boreholing (per hole)

wall anchors (1 set)

bathtub rail set

waterproofing set 1/ normal installation

waterproofing set 2 / ground-level-/ niche installation

Item No. 948WTR03ILL

Item No. 776ZTR01

Item No. 750ZBF01

Item No. 821ZAR01

Item No. 834ZBA01CLC

Item No. 835ZBA01CLC

Item No. 651ZGR02C

Item No. 755ZGR01C

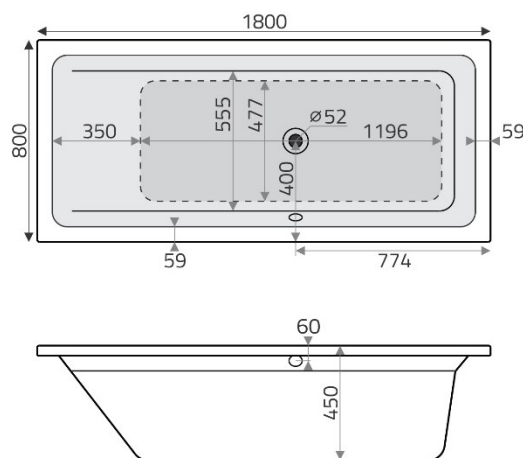
Item No. 803ZLO01

Item No. 800ZBW00

Item No. 752ZBL01

Item No. 781ZBD01

Item No. 782ZBD01



Floor Dimension:



1196 mm

Lying Dimension:



1586 mm