

Shower Tray CLIFF CF 100 QSF

GALATEA
since 1880

Specification:

Shower tray **CLIFF CF 100 QSF**
made of molded, integrally colored and
crosslinked sanitary acrylic according to DIN EN 263.

item No.: 255DWE0801
measurement: 1000 x 1000 x 40 mm (L x B x T)

Manufactured in vacuum - thermoforming process on
aluminum tools.

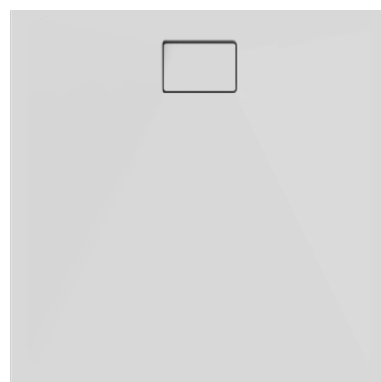
Strengthened with glass fiber reinforced plastic.

Manufactured according to DIN EN 14527.

Laminated floorboard of 12 mm to accommodate the
foot system. Installation with bathtub feet (see accessories)
or other suitable/ approved installation systems.

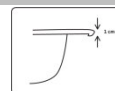
Optional with Slim Line.

Available colour : white



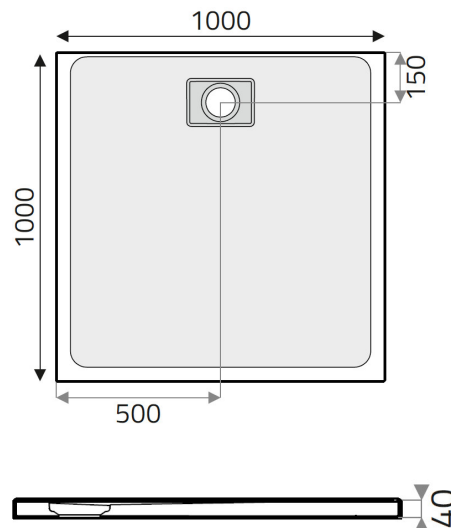
CF 100 QSF

Optional systems:



Optional Accessories:

Slim Line	Item No. 776ZTR01
universal feet (1 set)	Item No. 750ZBF01
Anti-Slip	Item No. 821ZAR01
drain fitting, height = 60mm	Item No. 824ZBA01C
drain fitting, height = 80mm	Item No. 826ZBA01C
drain fitting, vertical outlet	Item No. 825ZBA01C
wall anchors (1 Set)	Item No. 800ZBW00
shower tray rail set	Item No. 752ZBL01
waterproofing set 1/ normal installation	Item No. 781ZBD01
waterproofing set 2 / ground-level-/ niche installation	Item No. 782ZBD01
mounting frame up to 1200 mm	Item No. 779ZBM01



Available from 01.07.2018

GALATEA GmbH • An der Badewannengießerei 1 • D-01979 Lauchhammer • Tel. +49 (0) 3574 853 -0 •
Fax: +49 (0) 3574 853 -111 • E-Mail: info@galatea-bad.de • Internet: www.galatea-bad.de

Reserve technical changes. Dimensional tolerances conform to DIN. No liability for printing errors.

* No liability for correctness of declaration.