

Shower Tray CLIFF CF 120/80 SF

GALATEA
since 1880

Specification:

Shower tray **CLIFF CF 120/80 SF**
made of molded, integrally colored and
crosslinked sanitary acrylic according to DIN EN 263.

item No.: 257DWE0801
measurement: 1200 x 800 x 40 mm (L x W x H)

Manufactured in vacuum - thermoforming process on
aluminum tools.

Strengthened with glass fiber reinforced plastic.

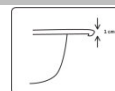
Manufactured according to DIN EN 14527.

Laminated floorboard of 12 mm to accommodate the
foot system. Installation with bathtub feet (see accessories)
or other suitable/ approved installation systems.

Optional with Slim Line.

Available colour : white

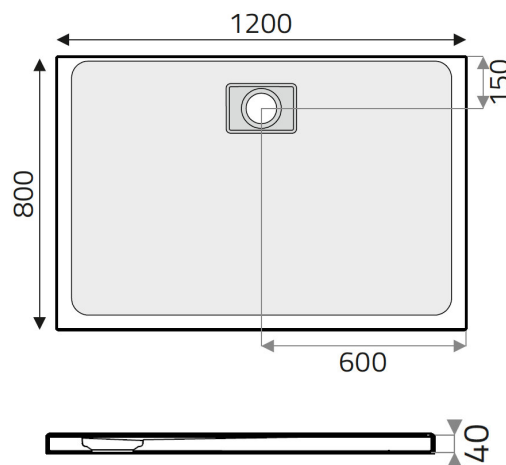
Optional systems:



Optional Accessories:

Slim Line
universal feet (1 set)
Anti-Slip
drain fitting, height = 60mm
drain fitting, height = 80mm
drain fitting, vertical outlet
wall anchors (1 Set)
shower tray rail set
waterproofing set 1/ normal installation
waterproofing set 2 / ground-level-/ niche installation
mounting frame up to 1200 mm

Item No. 776ZTR01
Item No. 750ZBF01
Item No. 821ZAR01
Item No. 824ZBA01C
Item No. 826ZBA01C
Item No. 825ZBA01C
Item No. 800ZBW00
Item No. 752ZBL01
Item No. 781ZBD01
Item No. 782ZBD01
Item No. 779ZBM01



Available from 01.07.2018

GALATEA GmbH • An der Badewannengießerei 1 • D-01979 Lauchhammer • Tel. +49 (0) 3574 853 -0 •
Fax: +49 (0) 3574 853 -111 • E-Mail: info@galatea-bad.de • Internet: www.galatea-bad.de

Reserve technical changes. Dimensional tolerances conform to DIN. No liability for printing errors.

* No liability for correctness of declaration.