

## Bathtub SURF SF 170 U left

**GALATEA**  
since 1880

### Specification

Small area bathtub **SURF SF 170 U left** made of molded, integrally colored and crosslinked sanitary acrylic according to DIN EN 263.

Item No.: 164BWN1001L (Overflow left)  
Item No.: 164BWN1001R (Overflow right)  
Measurements: 1700 x 1300/650 x 444 mm (L x W x H)  
Contains: about 320 l minus people



SF 170 U left

Manufactured in vacuum - thermoforming process on aluminum tools.  
Strengthened with glass fiber reinforced plastic.  
Manufactured according to DIN EN 198 and DIN EN 14516.  
Laminated floorboard of 12 mm to accommodate the foot system. Installation with bathtub feet (see accessories) or other suitable/ approved installation systems.  
Floor drain behind central, overflow behind central.  
Drain and overflow bowden cable 1000 mm.

**Optional with Pool-, Light- and Sound Systems.**

**Optional with Slim Line.**

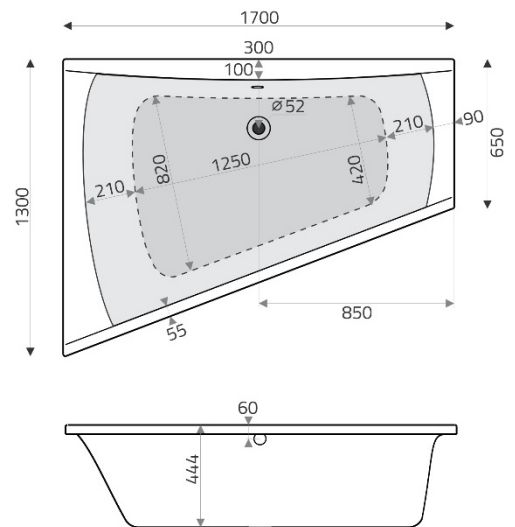
Colour : white

### Optional systems:



### Optional accessories:

Slim Line	Item No. 776ZTR01
Tub support	Item No. 988WTR02SCH
bathtub feet ( 1 set)	Item No. 750ZBF01
Anti-Slip	Item No. 821ZAR01
drain and overflow, standard	Item No. 834ZBA01C
drain and overflow, standard waterintake	Item No. 835ZBA01C
drain and overflow, bowden cable 1000 mm	Item No. 834ZBA01CLG
drain and overflow, bowden cable 1000 mm waterintake	Item No. 835ZBA01CLG
handles (1 set) 250 x 65 mm	Item No. 651ZGR02C
handles (1 set) 350 x 45 mm	Item No. 755ZGR01C
boreholing (per hole)	Item No. 803ZLO01
wall anchors (1 set)	Item No. 800ZBW00
bathtub rail set	Item No. 752ZBL01
waterproofing set 1/ normal installation	Item No. 781ZBD01
waterproofing set 2 / ground-level-/ niche installation	Item No. 782ZBD01

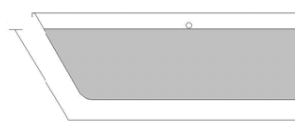


### Floor dimension:



1250 mm

### Lying dimension:



1660 mm

GALATEA GmbH • An der Badewannengießerei 1 • D-01979 Lauchhammer • Tel. +49 (0) 3574 853 -0  
• Fax: +49 (0) 3574 853 -111 • E-Mail: [info@galatea-bad.de](mailto:info@galatea-bad.de) • Internet: [www.galatea-bad.de](http://www.galatea-bad.de)

Reserve technical changes. Dimensional tolerances conform to DIN. No liability for printing errors.