

## Bathtub SURF SF 180

**GALATEA**  
since 1880

### Specification

Small area bathtub **SURF SF 180**  
made of molded, integrally colored and  
crosslinked sanitary acrylic according to DIN EN 263.

Item No.: 156BWN1001  
Measurements: 1800 x 800 x 445 mm (L x W x H)  
Contains: about 235 l minus people

Manufactured in vacuum - thermoforming process on  
aluminum tools.  
Strengthened with glass fiber reinforced plastic.  
Manufactured according to DIN EN 198 and DIN EN 14516.  
Laminated floorboard of 12 mm to accommodate the  
foot system. Installation with bathtub feet (see accessories)  
or other suitable/ approved installation systems.  
Floor drain front central, overflow front central.  
Drain and overflow standard.

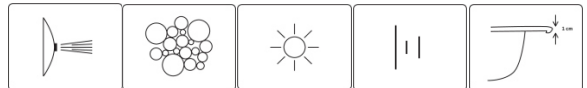
**Optional with Pool-, Light- and Sound Systems.**  
**Optional with Slim Line.**

Colour : white



SF 180

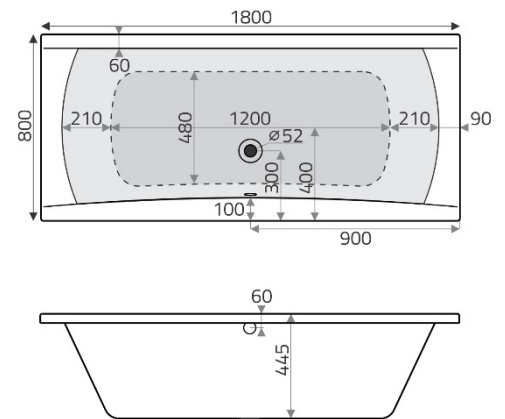
### Optional systems:



### Optional accessories:

Slim Line  
Tub support  
bathtub feet ( 1 set)  
Anti-Slip  
drain and overflow, standard  
drain and overflow, standard waterintake  
handles (1 set) 250 x 65 mm  
handles (1 set) 350 x 45 mm  
boreholing (per hole)  
wall anchors (1 set)  
bathtub rail set  
waterproofing set 1/ normal installation  
waterproofing set 2 / ground-level-/ niche installation

Item No. 776ZTR01  
Item No. 978WTR02SCH  
Item No. 750ZBF01  
Item No. 821ZAR01  
Item No. 834ZBA01C  
Item No. 835ZBA01C  
Item No. 651ZGR02C  
Item No. 755ZGR01C  
Item No. 803ZLO01  
Item No. 800ZBW00  
Item No. 752ZBL01  
Item No. 781ZBD01  
Item No. 782ZBD01

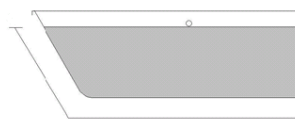


### Floor dimension:



1200 mm

### Lying dimension:



1580 mm

GALATEA GmbH • An der Badewannengießerei 1 • D-01979 Lauchhammer • Tel. +49 (0) 3574 853 -0  
• Fax: +49 (0) 3574 853 -111 • E-Mail: info@galatea-bad.de • Internet: [www.galatea-bad.de](http://www.galatea-bad.de)

Reserve technical changes. Dimensional tolerances conform to DIN. No liability for printing errors.