

Bathtub SURF SF 190

GALATEA
since 1880

Specification

Small area bathtub **SURF SF 190**
made of molded, integrally colored and
crosslinked sanitary acrylic according to DIN EN 263.

Item No.: 157BWN1001
Measurements: 1900 x 900 x 460 mm (L x W x H)
Contains: about 290 l minus people

Manufactured in vacuum - thermoforming process on
aluminum tools.
Strengthened with glass fiber reinforced plastic.
Manufactured according to DIN EN 198 and DIN EN 14516.
Laminated floorboard of 12 mm to accommodate the
foot system. Installation with bathtub feet (see accessories)
or other suitable/ approved installation systems.
Floor drain front central, overflow front central.
Drain and overflow standard.

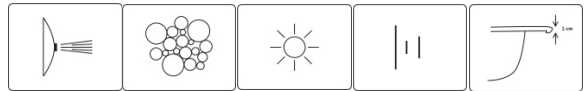
Optional with Pool-, Light- and Sound Systems.
Optional with Slim Line.

Colour : white



SF 190

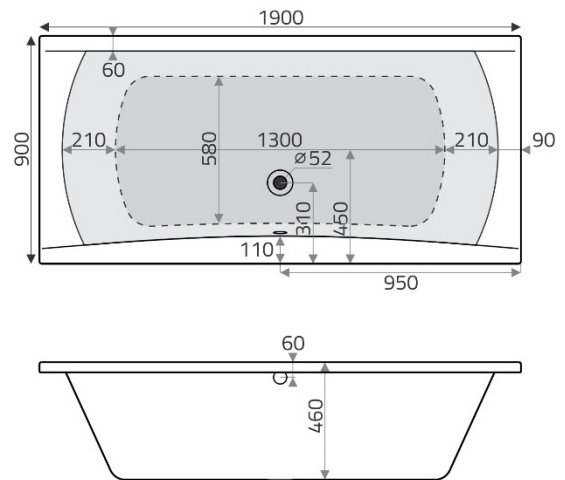
Optional systems:



Optional accessories:

Slim Line
Tub support
bathtub feet (1 set)
Anti-Slip
drain and overflow, standard
drain and overflow, standard waterintake
handles (1 set) 250 x 65 mm
handles (1 set) 350 x 45 mm
boreholing (per hole)
wall anchors (1 set)
bathtub rail set
waterproofing set 1/ normal installation
waterproofing set 2 / ground-level-/ niche installation

Item No. 776ZTR01
Item No. 979WTR02SCH
Item No. 750ZBF01
Item No. 821ZAR01
Item No. 834ZBA01C
Item No. 835ZBA01C
Item No. 651ZGR02C
Item No. 755ZGR01C
Item No. 803ZLO01
Item No. 800ZBW00
Item No. 752ZBL01
Item No. 781ZBD01
Item No. 782ZBD01

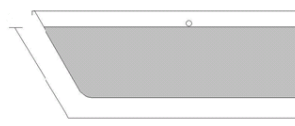


Floor dimension:



1300 mm

Lying dimension:



1700 mm

GALATEA GmbH • An der Badewannengießerei 1 • D-01979 Lauchhammer • Tel. +49 (0) 3574 853 -0
• Fax: +49 (0) 3574 853 -111 • E-Mail: info@galatea-bad.de • Internet: www.galatea-bad.de

Reserve technical changes. Dimensional tolerances conform to DIN. No liability for printing errors.