

Bathtub SPLASH SH 160/75 left

Specification

Small area bathtub **SPLASH SH 160/75 left** made of molded, integrally colored and crosslinked sanitary acrylic according to DIN EN 263.

Item No.: 296BWS1001
 measurement: 1600 x 750/500 x 420 mm (L x W x H)
 contains: about 180 l minus people

Manufactured in vacuum - thermoforming process on aluminum tools.
 Strengthened with glass fiber reinforced plastic.
 Manufactured according to DIN EN 198 and DIN EN 14516.
 Laminated floorboard of 12 mm to accommodate the foot system. Installation with bathtub feet (see accessories) or other suitable/ approved installation systems.
 Drain foot end. Overflow foot end.
 Drain and overflow standard.
Optional with Pool-, Light- and Sound Systems.
Optional with Slim Line.

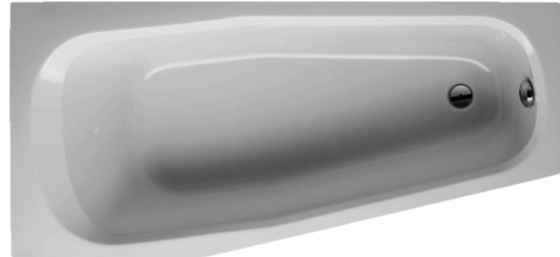
Colour : white

Optional accessories:

Slim Line
 bathtub feet (1 set)
 Anti-Slip
 drain and overflow, standard
 drain and overflow, standard waterntake
 handles (1 set) 250 x 65 mm
 handles (1 set) 350 x 45 mm
 boreholing (per hole)
 wall anchors (1 set)
 bathtub rail set
 waterproofing set 1/ normal installation
 waterproofing set 2 / ground-level-/ niche installation

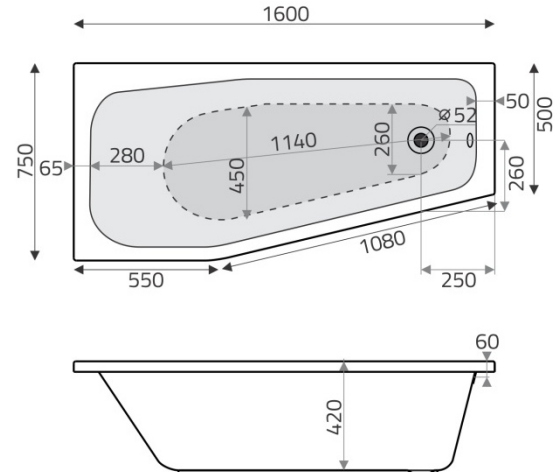
Item No. 776ZTR01
 Item No. 750ZBF01
 Item No. 821ZAR01
 Item No. 834ZBA01C
 Item No. 835ZBA01C
 Item No. 651ZGR02C
 Item No. 755ZGR01C
 Item No. 803ZLO01
 Item No. 800ZBW00
 Item No. 752ZBL01
 Item No. 781ZBD01
 Item No. 782ZBD01

GALATEA
 since 1880



SH 160/75 left

Optional systems:

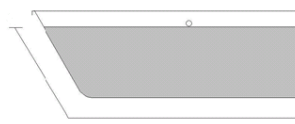


Floor dimension:



1140 mm

Lying dimension:



1485 mm