

Bathtub SPLASH SH 170/75 right

Specification

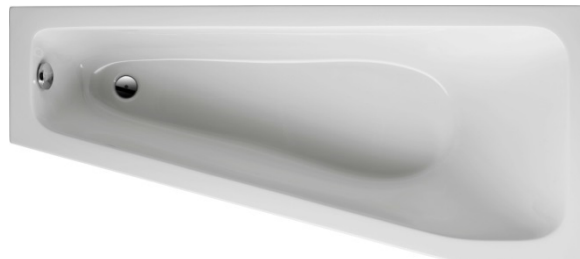
Small area bathtub **SPLASH SH 170/75 right** made of molded, integrally colored and crosslinked sanitary acrylic according to DIN EN 263.

Item No.: 297BWS1001
measurement: 1700 x 750/400 x 410 mm (L x W x H)
contains: about 150 l minus people

Manufactured in vacuum - thermoforming process on aluminum tools.
Strengthened with glass fiber reinforced plastic.
Manufactured according to DIN EN 198 and DIN EN 14516.
Laminated floorboard of 12 mm to accommodate the foot system. Installation with bathtub feet (see accessories) or other suitable/ approved installation systems.
Drain foot end. Overflow foot end.
Drain and overflow standard.

Optional with Pool-, Light- and Sound Systems.
Optional with Slim Line.

Colour : white



SH 170/75 right

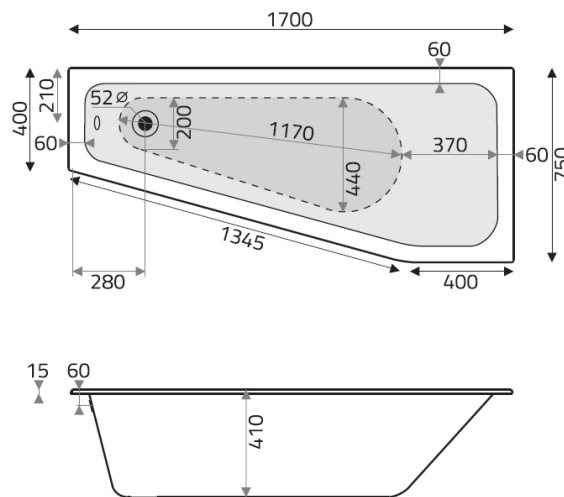
Optional systems:



Optional accessories:

Slim Line
bathtub feet (1 set)
Anti-Slip
drain and overflow, standard
drain and overflow, standard watertake
handles (1 set) 250 x 65 mm
handles (1 set) 350 x 45 mm
boreholing (per hole)
wall anchors (1 set)
bathtub rail set
waterproofing set 1/ normal installation
waterproofing set 2 / ground-level-/ niche installation

Item No. 776ZTR01
Item No. 750ZBF01
Item No. 821ZAR01
Item No. 834ZBA01C
Item No. 835ZBA01C
Item No. 651ZGR02C
Item No. 755ZGR01C
Item No. 803ZLO01
Item No. 800ZBW00
Item No. 752ZBL01
Item No. 781ZBD01
Item No. 782ZBD01



Floor dimension:



1170 mm

Lying dimension:



1345 mm