

Bathtub SUN-OVAL S 170/80

GALATEA
seit 1880

Specification:

oval bathtub **SUN - OVAL S 170/80**
made of molded, integrally colored and crosslinked sanitary acrylic according to DIN EN 263

item No.: 017BWN0201
measurement: 1700 x 800 x 500 mm (L x W x H)
contains: about 266 l minus people

Manufactured in vacuum - thermoforming process on aluminum tools.
Strengthened with glass fiber reinforced plastic.
Manufactured according to DIN EN 198 and DIN EN 14516.
Laminated floorboard of 12 mm to accommodate the foot system. Installation with tub support or bathtub feet (see accessories) or other suitable/ approved installation systems.
Floor drain central, overflow front central.
Special drain set with bowden cable 800 mm.
Optional with Pool-, Light- and Sound Systems.
Optional with Slim Line.

Available color : white



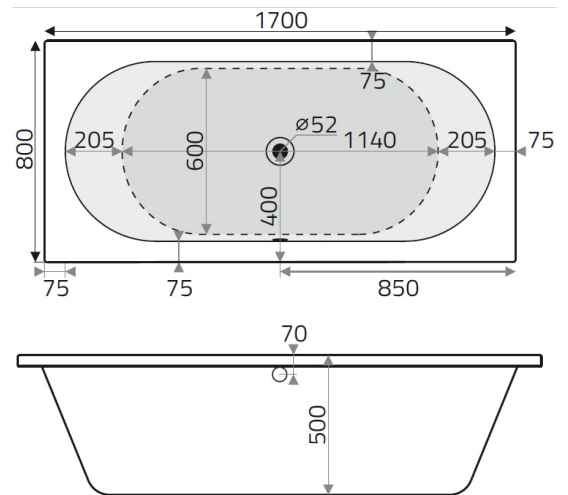
S 170/80

Optional systems:



Optional Accessories:

tub support	Art.-Nr. 437WTR03
Slim Line	Art.-Nr. 776ZTR01
bathtub feet (1 set)	Art.-Nr. 750ZBF01
Anti-Slip	Art.-Nr. 821ZAR01
drain and overflow , bowden cable 800 mm	Art.-Nr. 834ZBA01CLG
drain and overflow , bowden cable 800 mm water intake	Art.-Nr. 835ZBA01CLG
handles (1 set) 250 x 65 mm	Art.-Nr. 651ZGR02C
handles (1 set) 350 x 45 mm	Art.-Nr. 755ZGR01C
boreholing (per hole)	Art.-Nr. 803ZLO01
wall anchors (1 set)	Art.-Nr. 800ZBW00
bathtub rail set	Art.-Nr. 752ZBL01
waterproofing set 1/ normal installation	Art.-Nr. 781ZBD01
waterproofing set 2 / ground-level-/ niche installation	Art.-Nr. 782ZBD01



Floor dimension:



1140 mm

Lying dimension:



1500 mm

GALATEA GmbH • An der Badewannengießerei 1 • D-01979 Lauchhammer • Tel. +49 (0) 3574 853 -0 •
Fax: +49 (0) 3574 853 -111 • E-Mail: info@galatea-bad.de • Internet: www.galatea-bad.de

Reserve technical changes. Dimensional tolerances conform to DIN. No liability for printing errors.