

## Hexagonal Bathtub SUNSET ST 45 E

**GALATEA**  
since 1880

### Specification:

hexagonal bathtub **SUNSET ST 45 E**  
made of molded, integrally colored and  
crosslinked sanitary acrylic according to DIN EN 263.

item No.: 194BWE0801  
measurement: 1400 x 1400 x 430 mm (L x W x H)  
contains: about 235 l minus people

Manufactured in vacuum - thermoforming process on  
aluminum tools.  
Strengthened with glass fiber reinforced plastic.  
Manufactured according to DIN EN 198 and DIN EN 14516.  
Laminated floorboard of 12 mm to accommodate the  
foot system. Installation with bathtub feet (see accessories)  
or other suitable/ approved installation systems.  
Floor drain front central, overflow front central.  
Standard drain set.

**Optional with Pool-, Light- and Sound Systems.**

**Optional with Slim Line.**

Colour : white

Different colours on demand



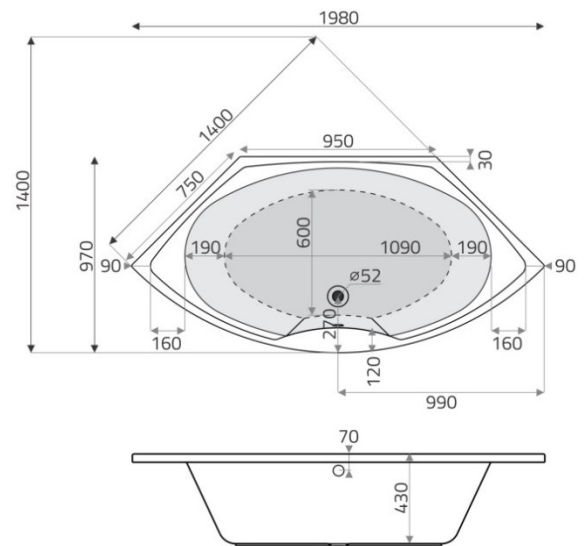
ST 45 E

### Optional systems:



### Optional Accessories:

tub support	poresta 17.054.478 *
tub support	Schedel SW 14934 *
Slim Line	Item No 776ZTR01
bathtub feet ( 1 set)	Item No. 750ZBF01
Anti-Slip	Item No. 821ZAR01
drain and overflow , standard	Item No. 834ZBA01C
drain and overflow , standard with intake	Item No. 835ZBA01C
handles (1 set) 250 x 65 mm	Item No 651ZGR02C
handles (1 set) 350 x 45 mm	Item No 755ZGR01C
boreholing (per hole)	Item No 803ZLO01
wall anchors (1 set)	Item No. 800ZBW00
bathtub rail set	Item No. 752ZBL01
waterproofing set 1/ normal installation	Item No 781ZBD01
waterproofing set 2 / ground-level-/ niche installation	Item No. 782ZBD01



### Floor Dimension:



### Lying Dimension:



GALATEA GmbH • An der Badewannengießerei 1 • D-01979 Lauchhammer • Tel. +49 (0) 3574 853 -0 •  
Fax: +49 (0) 3574 853 -111 • E-Mail: info@galatea-bad.de • Internet: www.galatea-bad.de

2017

Reserve technical changes. Dimensional tolerances conform to DIN. No liability for printing errors.

\* No liability for correctness of declaration.