

Specification

Round bathtub **SUNSET ST 175**

Made of molded, integrally colored and crosslinked sanitary acrylic according to DIN EN 263.

item No.: 190BWR0101
 measurement: 1750 x 1750 x 535 mm (L x W x H)
 contains: about 500 l minus people

Manufactured in vacuum - thermoforming process on aluminum tools.

Strengthened with glass fiber reinforced plastic.

Manufactured according to DIN EN 198 and DIN EN 14516.

Laminated floorboard of 12 mm to accommodate the foot system. Installation with bathtub feet (see accessories) or other suitable/ approved installation systems.

For this size, two similar sets of bathtub feet are recommended.*

Floor drain in the middle, at the side, at the front.

Overflow in the middle, at the front.

Special drain set with bowden cable 800 mm.

Optional with Pool-, Light- and Sound Systems, Slim Line.

Colour : white.



ST 175

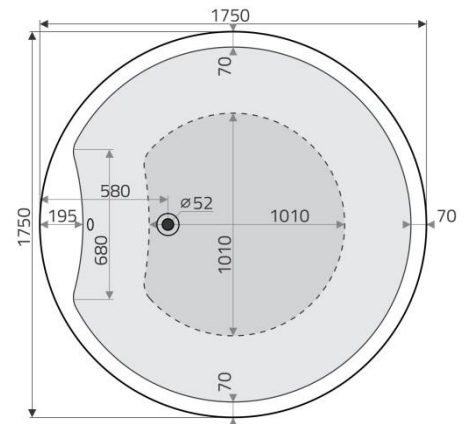
Optional Systems:



Optional Accessories:

- Slim Line bathtub feet (1 set)
- Anti-Slip
- drain and overflow, bowden cable 800 mm
- drain and overflow, bowden cable 800 mm water intake
- handles (1 set) 250 x 65 mm
- handles (1 set) 350 x 45 mm
- boreholing (per hole)
- wall anchors (1 set)
- bathtub rail set
- waterproofing set 1/ normal installation
- waterproofing set 2 / ground-level-/ niche installation

- Item No. 776ZTR01
- Item No. 750ZBF01
- Item No. 821ZAR01
- Item No. 834ZBA01CLG
- Item No. 835ZBA01CLG
- Item No. 651ZGR02C
- Item No. 755ZGR01C
- Item No. 803ZLO01
- Item No. 800ZBW00
- Item No. 752ZBL01
- Item No. 781ZBD01
- Item No. 782ZBD01

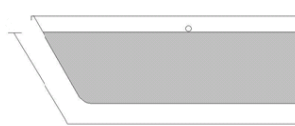


Floor Dimension:



1010 mm

Lying Dimension:



1470 mm

