

## Specification:

Oval bathtub **SUN - OVAL S 180/80 O**  
made of molded, integrally colored and  
crosslinked sanitary acrylic according to DIN EN 263

item No.: 032BWS0201  
measurement: 1800 x 800 x 500 mm (L x W x H)  
contains: ca. 299 l minus people

Manufactured in vacuum - thermoforming process on  
aluminum tools.  
Strengthened with glass fiber reinforced plastic.  
Manufactured according to DIN EN 198 and DIN EN 14516.  
Laminated floorboard of 12 mm to accommodate the  
foot system. Installation with tub support or bathtub feet  
(see accessories) or other suitable/ approved installation systems.  
Floor drain central, overflow front central.  
Special drain set with bowden cable 800 mm.  
**Optional with Pool-, Light- and Sound Systems.**  
**Optional with Slim Line.**



S 180/80 O

Available color : white

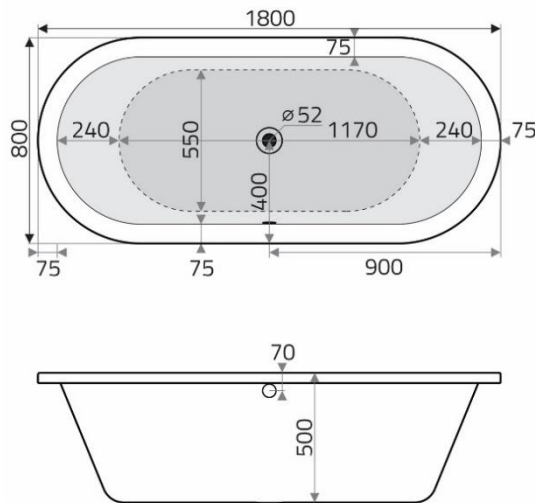
## Optional systems:



## Optional Accessories:

tub support  
Slim Line  
bathtub feet ( 1 set)  
Anti-Slip  
drain and overflow , bowden cable 800 mm  
drain and overflow , bowden cable 800 mm water intake  
handles (1 set) 250 x 65 mm  
handles (1 set) 350 x 45 mm  
boreholing (per hole)  
wall anchors (1 set)  
bathtub rail set  
waterproofing set 1/ normal installation  
waterproofing set 2 / ground-level-/ niche installation

Art.-Nr. 396WTR03  
Art.-Nr. 776ZTR01  
Art.-Nr. 750ZBF01  
Art.-Nr. 821ZAR01  
Art.-Nr. 834ZBA01CLG  
Art.-Nr. 835ZBA01CLG  
Art.-Nr. 651ZGR02C  
Art.-Nr. 755ZGR01C  
Art.-Nr. 803ZLO01  
Art.-Nr. 800ZBW00  
Art.-Nr. 752ZBL01  
Art.-Nr. 781ZBD01  
Art.-Nr. 782ZBD01



## Floor dimensions:



1170 mm

## Lying dimensions:



1600 mm