



## INSTRUCTION SHEET

for

carrier mounting for shower trays

# CONTENT

GENERAL	Page 3
VISUAL INSPECTION	Page 4
INSTALLATION INSTRUCTION	
Installation of the carrier	Page 4 - 6
INSTALLATION OF DRAIN AND OVERFLOW	Page 6 – 8
CARE INSTRUCTIONS	Page 9
WARRANTY	Page 9
SERVICE	Page 9

## GENERAL

The following table shows the minimum requirements for the Bath

Facilities	Apartments for 1 to 2 people			Apartments for 2 to 4 people			Apartments for 5 or more people			
	Minimum Equipment		Recommended Equipment	Minimum Equipment		Recommended Equipment	Minimum Equipment		Recommended Equipment	
	Bath	Bath		Bath	Bath		Bath	WC	Bath	WC
washstand	X	X		X	X <sup>5)</sup>	X	X	X	X <sup>5)</sup>	X
bathtub	X <sup>1)</sup>	X <sup>1)</sup>		X	X			X	X	
shower tray					X	X <sup>6)</sup>	X	X	X	X <sup>6)</sup>
bidet		X			X		X	X	X	
water closet	X	X	X <sup>2)</sup>	X	X	X	X	X	X	X
washbasin			X			X <sup>3)</sup>		X <sup>3)</sup>		
space for washing mashine and spin dryer	X	X		X <sup>4)</sup>	X <sup>4)</sup>	X <sup>7)</sup>	X <sup>4)</sup>		X <sup>4)</sup>	X <sup>7)</sup>
space for drying equipment		X			X <sup>4)</sup>	X <sup>7)</sup>			X <sup>4)</sup>	X <sup>7)</sup>
space for bathroom furniture		X			X				X	X

- 1) optional shower tray
- 2) instead of a flush toilet in the bath
- 3) unless provided a washstand
- 4) unless in the laundry room
- 5) instead of a washstand b=60 cm choice of washstand as needed up to b=100 cm or a double washstand
- 6) optional instead of shower tray in the bath
- 7) as an alternative to floor space in the bath

III. 1

source: German institute for standardization, standards for sanitary planning (2010).

On the following survey you can see certain minimum distances.

	wash-stand	counter-top basin	wash-basin	bidet	shower tray, bathtub	closet and urinal	washing machine	bath room furniture	walls
wash-stand	20	-	-	25	20 <sup>1)</sup>	20	20 ≥ 20 <sup>2)</sup>	5	20
counter-top basin	-	0	-	25	15 <sup>1)</sup>	20	15	0	0
wash-basin	-	-	-	25	20	20	20	20 ≥ 25 <sup>3)</sup>	20 ≥ 25 <sup>3)</sup>
bidet	25	25	25	-	25	25	25	25	25
shower tray, bathtub	20 <sup>1)</sup>	15 <sup>1)</sup>	20	25	0 <sup>2)</sup>	20	0	0	0
closet and urinal	20 ≥ 15 <sup>4)</sup>	20	20 ≥ 15 <sup>4)</sup>	20	20	20 <sup>3)</sup> ≥ 15 <sup>4)</sup>	20	20 ≥ 15 <sup>4)</sup>	20 25 <sup>4)</sup>
washing machine	20	15	20	25	0	20 ≥ 15 <sup>4)</sup>	0	0	3
bathroom furniture	5	0	20	25	0	20	0	0	3
walls	20	0 ≥ 25 <sup>3)</sup>	20	25	0 ≥ 25 <sup>4)</sup>	20	3	3	-

- 1) The distance can be reduced to 0 (if no shower separation available, for shower trays it should be generally assumed, that a fix shower enclosure is made)
- 2) distance between bathtub and shower tray; for the arrangement of the supply valves in the separating wall between the tubs 15 cm are required
- 3) distance between toilet bowl and urinal
- 4) for walls on both sides
  - a) for high cabinets
  - b) for walls
  - c) lateral distance from the flush toilet
  - d) wall on one side

III. 2

source: German institute for standardization, standards for sanitary planning (2010).

## VISUAL INSPECTION

Please remove the protector **BEFORE** the installation. Check your new acquisition **BEFORE** installation for possible damages under the protector. After installation, we can only give warranty on manufacturing defects.

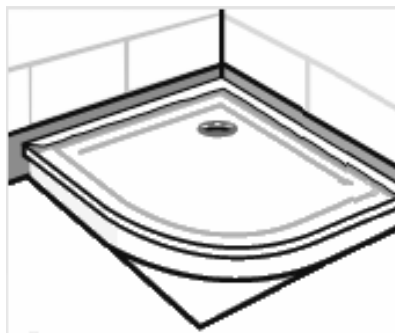
## INSTALLATION INSTRUCTION

### Installation of the carrier

Put the shower tray in the polystyrene support and check the correct position (manufacturing and manufacturing-related dimensional tolerances are possible).

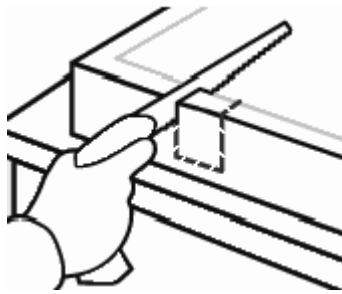
Now you can position the carrier with the shower so that a desired spacing is ensured to the wall - depending on whether the tiles are applied onto the shower edge or behind the shower edge.

Now bring on the sound insulation band, as shown in the image, on those sides of the product facing the wall.

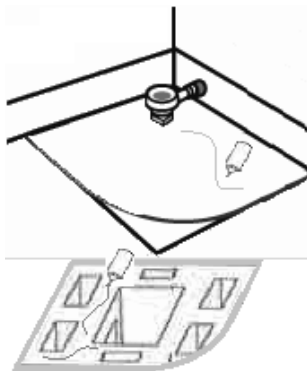


Now, the outline of the carrier can be marked on the floor and the placement of the drain and the course of the pipes can be determined.

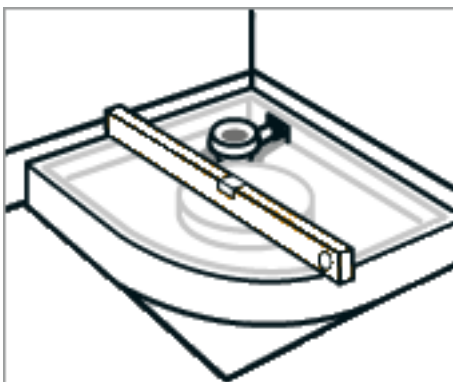
Afterwards follow these steps:



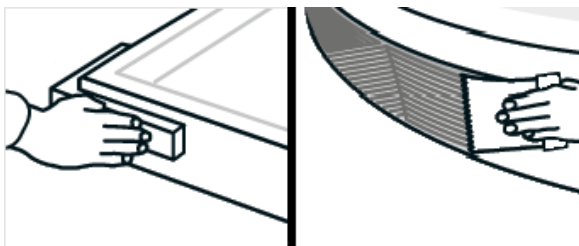
- 1) Cut the inspection chamber in conic form. Adjust the opening to the tile size.



- 2) Bring on tile adhesive on the marked position of the floor or 2K OCF on the bottom of the carrier and position the carrier.



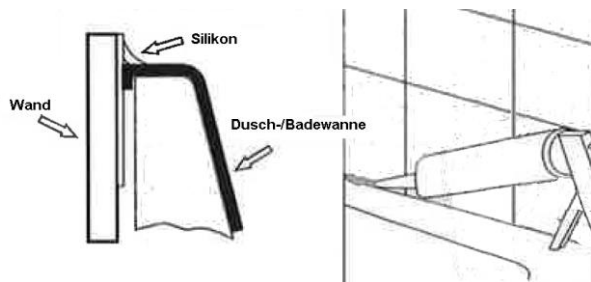
- 3) Control and adjust the horizontal if applicable.



- 5) Before the final insertion of the shower tray, 2K OFC is applied on the pre-marked points (in the cavity between the carrier and shower bottom and on the shower tray edge). Then, the carrier can be filled in for tiling.

Please note :

The tiles can be glued directly onto the polystyrene walls. These should be freed of dust and dirt first. For gluing the tiles you use a flex or a dispersion adhesive.



6) To seal the shower edge and the inspection opening silicone should be used.

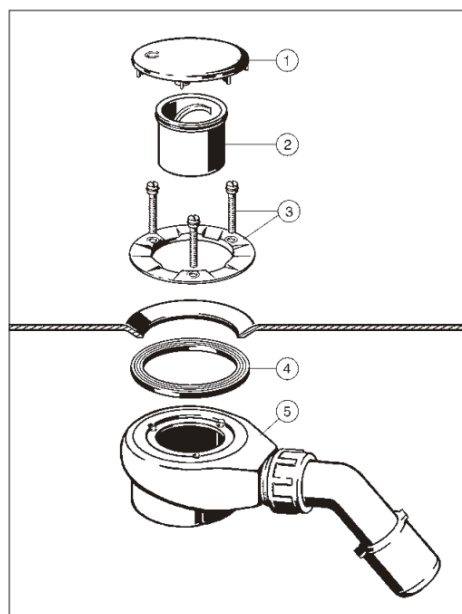
### INSTALLATION OF DRAIN AND OVERFLOW (Example: Viega Tempoplex):

1) Check for the items **to be complete:**

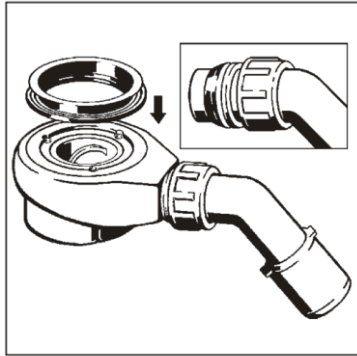
1 cover  
4 seal

2 dip tube  
5 trap

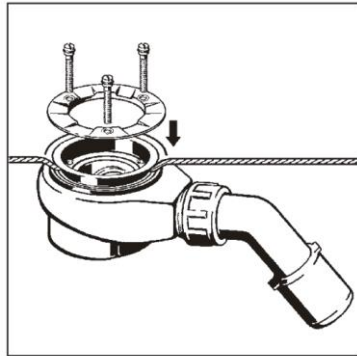
3 mounting flange with  
screws



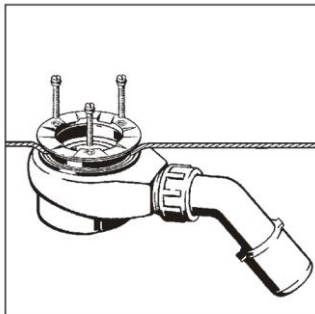
Picture of the items



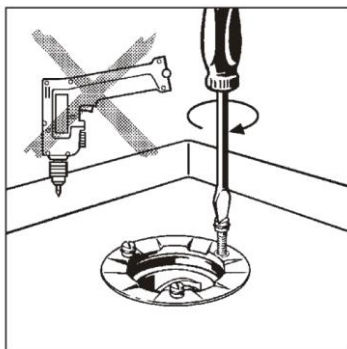
2) Place the double seal on the sealing surface and press it into the retaining.



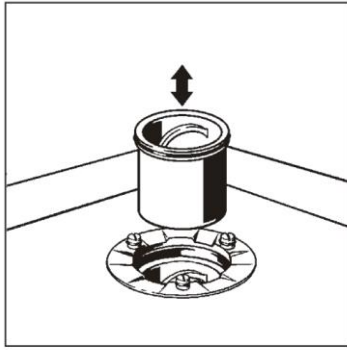
3) Position the drain body with the seal underneath the shower tray. Then lead the top of the dual seal through the drain hole.



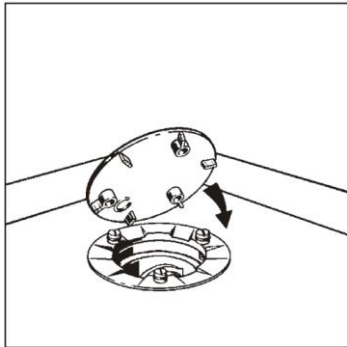
4) Screw in the mounting screws by hand.



5) Tighten the screws evenly. Please do not use a cordless screwdriver.



6) Insert the dip tube into the trap.



7) Press the cover onto the three mounting points.

**YOUR PRODUCT IS NOW READY FOR USE!**



## CARE INSTRUCTION

Bathtubs and shower trays made from acrylic are easy to maintain, because they are non-porous. For cleaning everyday dirt a liquid detergent and cleaning agent (non-scouring) are sufficient. Be sure to use a sponge or soft cloth and rinse afterwards. If water conditions because a slight lime scale, this can be easily solved with household vinegar. Please do not use a descaler for hot water appliances (risk of surface discoloration). Slight damage or scratches can be fixed quickly with an acrylic care set (commercially available).

## WARRANTY

For perfect and professional processing of this product, we assume, in accordance with our sales and delivery, a warranty for a period of 5 years. For whirlpool and air pool technique applies a period of 2 years. Excluded are damages which are caused by improper handling, installation, and use of force. The warranty begins on the day of payment on the appropriate product.

Dear customer,

We thank you that you have chosen a product of the GALATEA GmbH. In order to serve you even better in the future, we need your opinion about us and our products. If you have questions we would like to help you.

Service phone: 0049- (0) 3574 853 – 0

**OUR CUSTOMER SERVICE WILL GLADLY HELP YOU WITH  
YOUR QUESTIONS!**



**CUSTOMER SERVICE**  
Phone: 0049- (0) 3574 853-100  
E-Mail: [a.heyn@galatea-bad.de](mailto:a.heyn@galatea-bad.de)

**YOUR GALATEA-TEAM**